

# CORIOLIS SOFTWARE (1/2)

SOFTWARE PARTNER  
V6 Member



SOFTWARE PARTNER  
V5 Partner



“Use the force...”

- **CATFiber Export CAA V6 Based** *(add-on to CPD workbench)*
  - Export composites plies to CADFiber standalone AFP software
- **CATFiber Design CAA V6 Based**
  - Manufacturability analysis for composites designers in CATIA V6 CPD

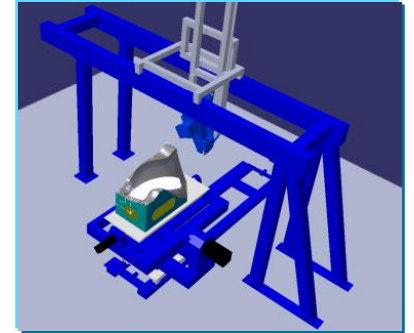
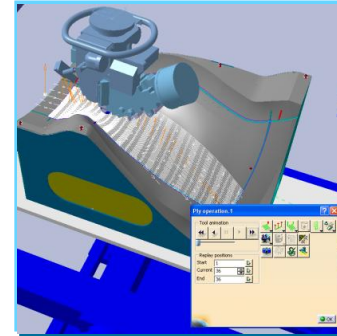
Prerequisites(\*) CDE | CMF | CNV | PCS

- **CATFiber AFP-ATL Programming CAA V6 Based**
  - Advanced composites programming in DELMIA V6
  - Machine-independent tool-path strategies - ATL process simulation add-on
- **CATFiber AFP-ATL Machine Simulation CAA V6 Based**
  - Advanced motion planner for both CNC machines and complex robot work cells
  - Machine simulation using controller emulator, post-processors

Prerequisites(\*) CNV | PCS *AFP-ATL Programming : + CMF | NMG | NPM* *AFP-ATL Simulation: + NMV*

(\*) Information subject to changes. Please validate with your partner manager via [mkt.partners@3ds.com](mailto:mkt.partners@3ds.com)

[Click here for Industry Legend](#)



## Contact:

Yvan BLANCHARD  
+33 (0)2 97 59 45 26  
[yvan.blanchard@coriolis-composites.com](mailto:yvan.blanchard@coriolis-composites.com)

## Partner Website:

[www.coriolis-composites.com](http://www.coriolis-composites.com)



# CORIOLIS SOFTWARE (2/2)

SOFTWARE PARTNER  
V6 Member



SOFTWARE PARTNER  
V5 Partner



“Use the force...”

- **CATFiber Export CAA V5 Based** *(add-on to CPD workbench)*

- Export composites plies to CADFiber standalone AFP software

- **CATFiber Design CAA V5 Based**

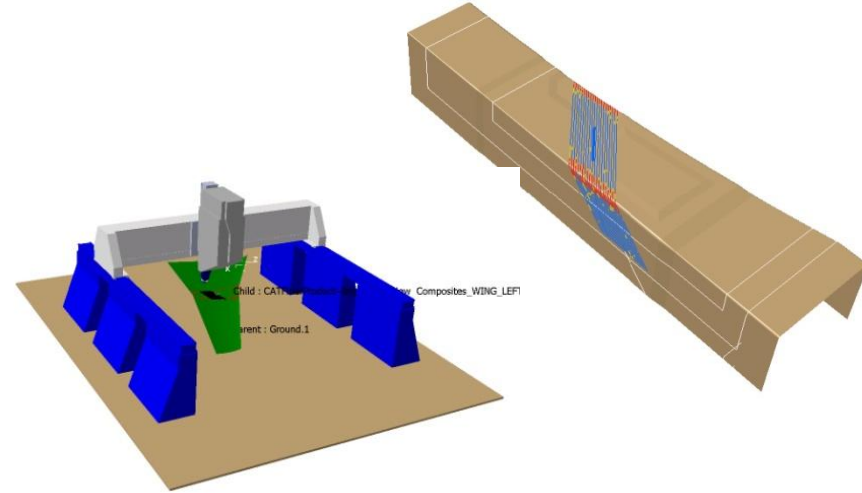
- Manufacturability analysis for composites designers in CATIA V5 CPD
- Fiber simulation using material and machine constraints
- Advanced lay-up surface (FE mesh) and rosette transfers
- Automatic ply sectorization for optimizing lay-up paths

- **CATFiber Manufacturing CAA V5 Based**

- Advanced composites programming in DELMIA V5
- Machine-independent tool-path strategies
- True fiber angle export add-on for FE Analysis (Abaqus, Nastran,...)
- Trimming process simulation add-on

- **CATFiber Simulation CAA V5 Based**

- Advanced motion planner for both CNC machines and complex robot work cells
- Machine simulation with controller emulator and post-processors



**Contact:**

Yvan BLANCHARD  
+33 (0)2 97 59 45 26  
[yvan.blanchard@coriolis-composites.com](mailto:yvan.blanchard@coriolis-composites.com)

**Partner Website:**

[www.coriolis-composites.com](http://www.coriolis-composites.com)

[\[Click here for Industry Legend\]](#)



CATIA CD3 or HD2

Coreq	Prereq
CPM*	
GPS	
FMS	
STL	

(\* Only for HD2

DELMIA MP2 or  
CATIA CD3 or HD2

Coreq	Prereq
MPR**	
MNV**	
CPM*	
-	

DELMIA WL2

Coreq	Prereq
MPS	
MSA	
MTB	
DBG	