

ELYSIUM (1/4)

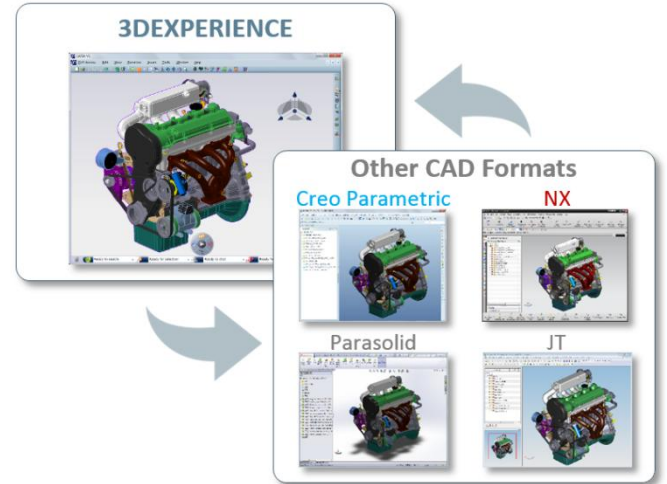
“Interoperability Solution Provider”



- Elysium V6 Format Converter**
for NX, JT, Creo Parametric, Parasolid

High quality data translation of 3DEXPERIENCE data with the quick ability to support new versions as released

- All 3DEXPERIENCE data is stored in 3DEXPERIENCE platform
- Direct translation of 3DEXPERIENCE data stored in 3DEXPERIENCE platform is realized by using “xCAD” Component
- 3DEXPERIENCE data translation benefits from the expertise accumulated from the experience and history of translation with CATIA V4 and V5



Prerequisites(*)	CPF LIV VPM (for NX Converter)	CPF DEC LIV VPM VTC XVG (for JTConverter)
	CNV PCS (for PorE &Creo)	CPF DEC LIV VPM XVG (for ParaSolid)

(*) Information subject to changes. Please validate with your partner manager via mkt.partners@3ds.com

[Click here for Industry Legend](#)



Contact:

Kentaro FUKUTA
+ 81 (53) 413-1002
marketing@elysium.co.jp

Partner Website:

www.elysium-global.com/

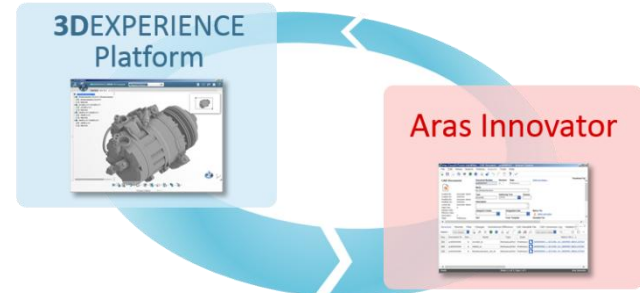
“Interoperability Solution Provider”



► Elysium xPDM for Aras

Integration connector between 3DEXPERIENCE platform and Aras Innovator

- **Official Partnership:** Developed using xPDM infrastructure by Dassault Systèmes and the open Web services APIs in Aras
- **Smooth and Secure Data Exchange:** Smooth and secure data flow between the two PLM systems guaranteed including the product structure
- **Wide Utilization of 3DEXPERIENCE Data:** High-fidelity translators developed using xCAD infrastructure guarantees the instant data reuse in downstream processes



Prerequisites(*)	PCS PDE
------------------	-----------

[\(Click here for Industry Legend\)](#)



Contact:
Kentaro FUKUTA
+ 81 (53) 413-1002
marketing@elysium.co.jp

Partner Website:
www.elysium-global.com/

ELYSIUM (3/4)

“Interoperability Solution Provider”

SOFTWARE PARTNER
V6 Partner

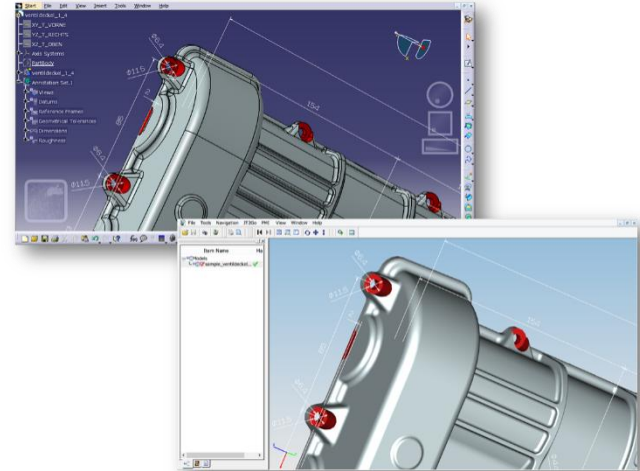


SOFTWARE PARTNER
V5 Partner



- **Elysium MultiCax-JT Plugin**
= CATIA V5 CAA to/from JT Direct Translator =

- **Powerful Translation:** Using CATIA V5 CAA toolkit and Elysium’s best-in-industry JT translation technology, massive assembly data are translated as far as it can be imported to a CAD
- **High PDQ Guaranteed:** Automatic healing runs during the translation ensures the accurate translation and downstream reuse
- **PMI Support:** Dimensions, annotations and symbols in CATIA V5 data are translated to PMI in JT file
- **Official Provider for Daimler:** Well-tuned for Daimler requirements to ensure the accurate data exchange and wide utilization of CATIA V5 data



CATIA MD1
or ENOVIA DM1
or DELMIA AP2

Coreq	Prereq
FT1 ¹	—
FTA ¹	
DN1 ¹	
DT1 ²	
MFT ³	
MDU ³	

(1) for CATIA
(2) for ENOVIA
(3) for DELMIA

[\(Click here for Industry Legend\)](#)



Contact:

Kentaro FUKUTA
+ 81 (53) 413-1002
marketing@elysium.co.jp

Partner Website:

www.elysium-global.com/



ELYSIUM (4/4)

“Interoperability Solution Provider”

SOFTWARE PARTNER
V6 Partner



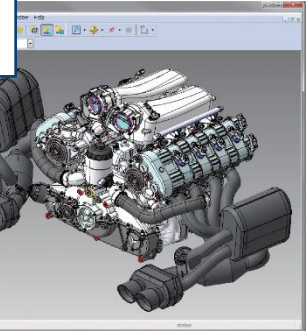
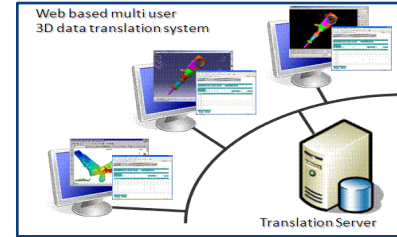
SOFTWARE PARTNER
V5 Partner



► Elysiium Direct Translator / CADdoctor (CAAV5 Adopter Products)

Direct 3D data translation and wide utilization of CATIA V5 data:
translating to multiCAX formats, as well as repairing PDQ errors, simplifying
the data for CAE analysis, verifying the data and more

- Ease of data sharing between heterogeneous CAD/CAM and PLM systems
- Reliable solid to solid conversion (B-rep)
- Little or no time spent on data clean-up
- Complete translation of product structure
- Simple User Interface for import and export



CATIA MD2



[\(Click here for Industry Legend\)](#)



Contact:

Kentaro FUKUTA
+ 81 (53) 413-1002
marketing@elysium.co.jp

Partner Website:

www.elysium-global.com/