



CATIA Certified Professional exams


This document is meant to give you an idea of what our exams look like. Questions are multiple-choice with single answer. They may include images. The types of question you will find below is similar in all exams, but the proportion may vary depending on the level of the exam. Expert exams include more context based and problem solving questions than the Specialist ones.

Question 1. Which one of these menu or short cut selections will exit CATIA?

- A. Start and Exit
- B. File and Quit
- C. Ctrl + G
- D. Ctrl + X
- E. File and Close

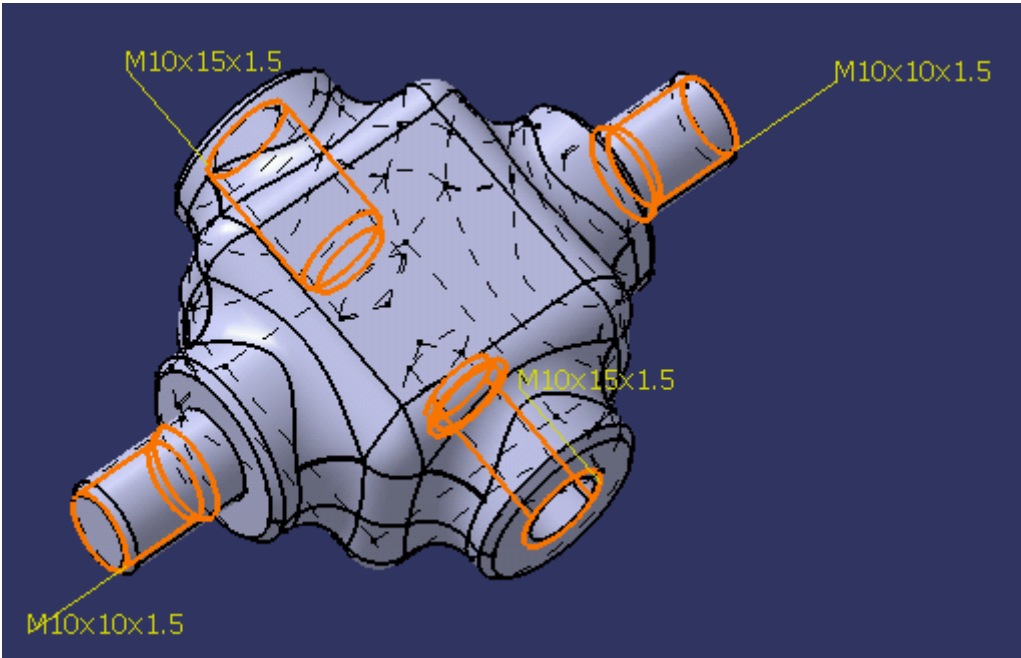
Question 2. Of the following items which will rename an object?

- A. Double-click its name in the specification tree
- B. Edit the object's definition
- C. Use the Rename option in the contextual menu
- D. Edit the object's properties
- E. Overwrite its name in the specification tree






Question 3. What is this tool  used for?

- A. To calculate and display mean dimensions
- B. To fix or lock all the part dimensions
- C. To display all the numerical tolerances
- D. To define numerical tolerances on dimensions
- E. To remove all the numerical constraints

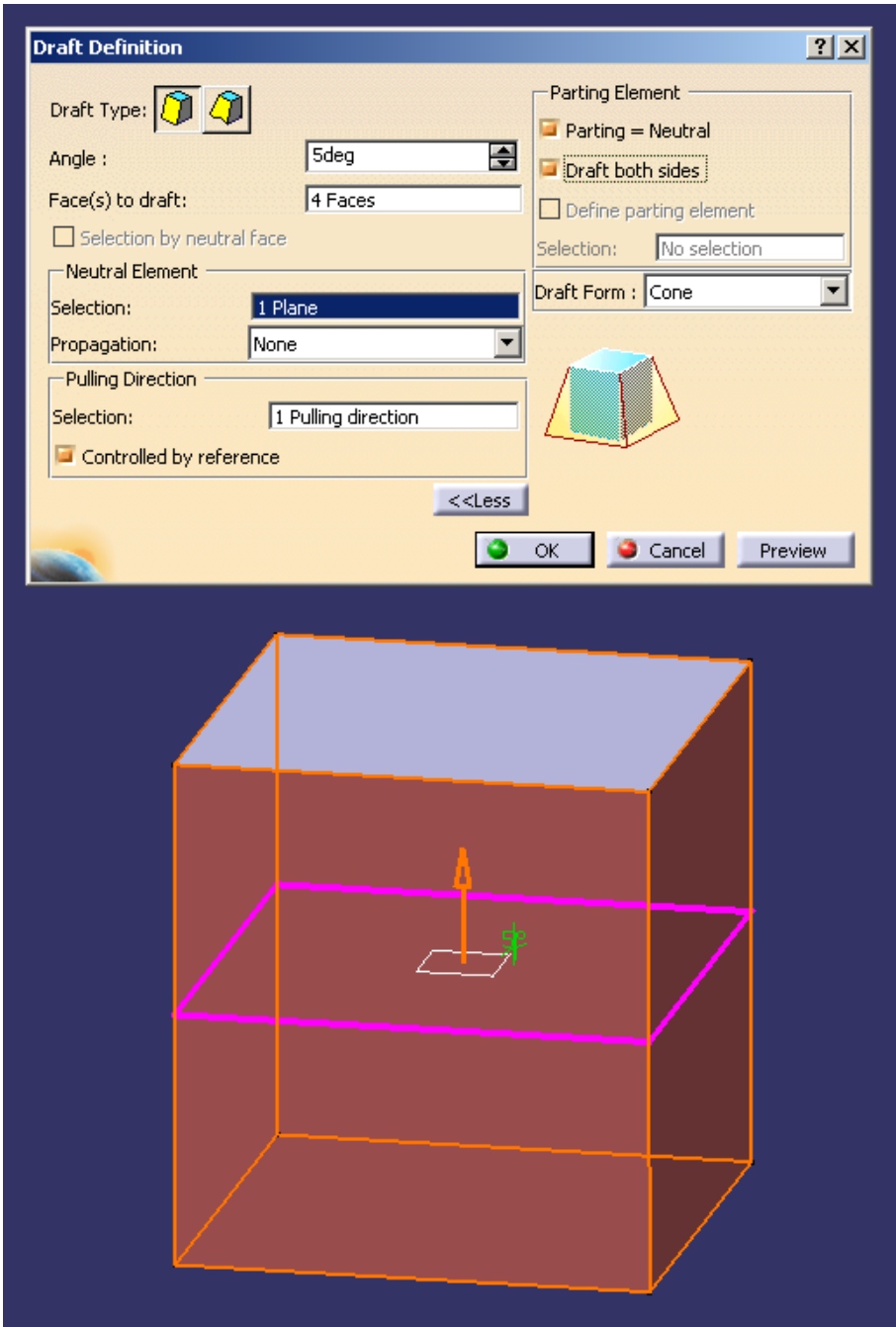
Question 4.

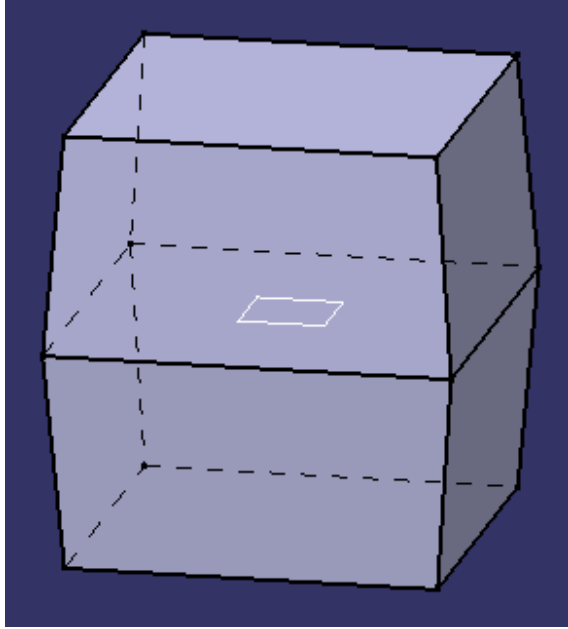


Which tool is used to get information on the threads and taps that have been created on a part?

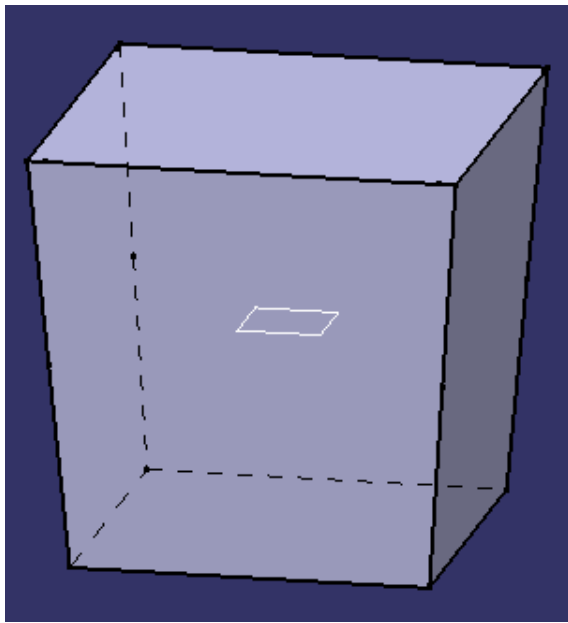
- A. 
- B. 
- C. 
- D. 
- E. 

Question 5. What would be the result of a draft angle with the following parameters?

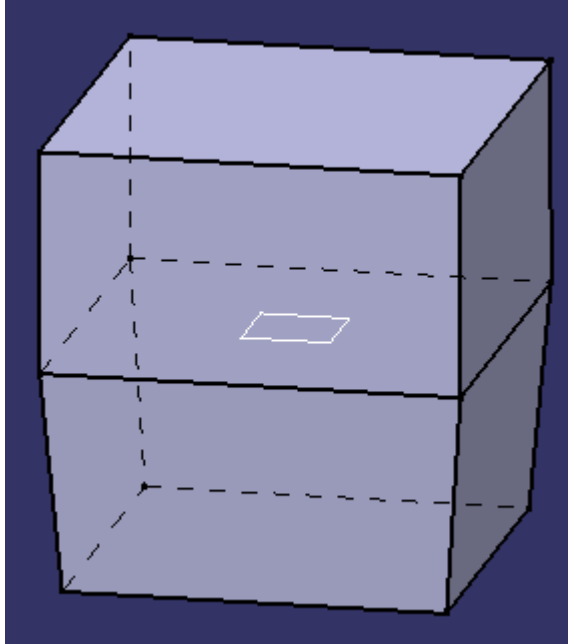




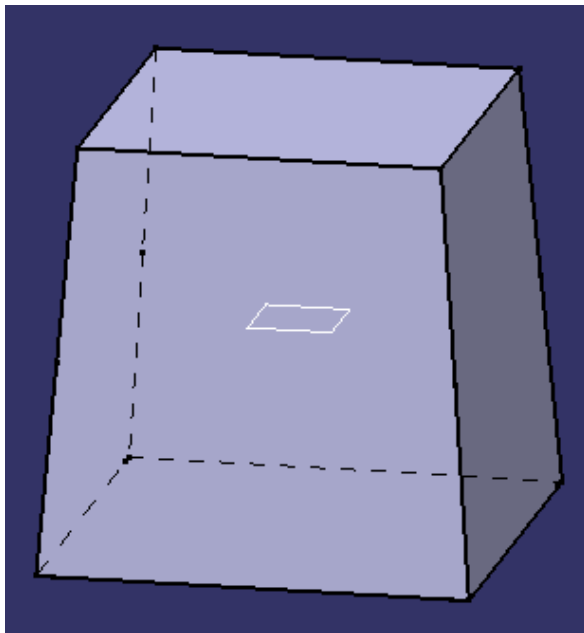
A.



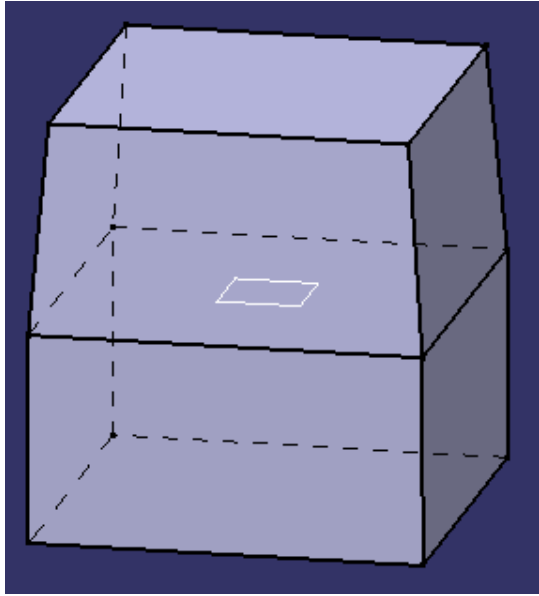
B.



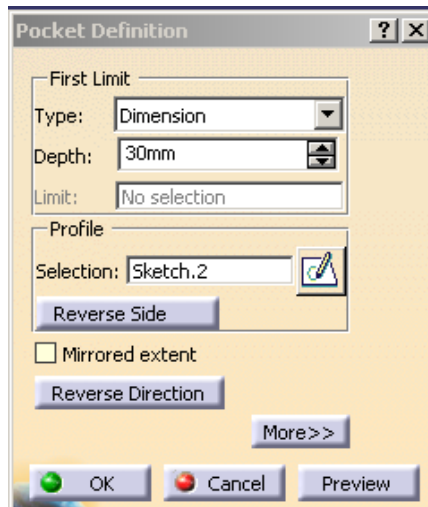
c.



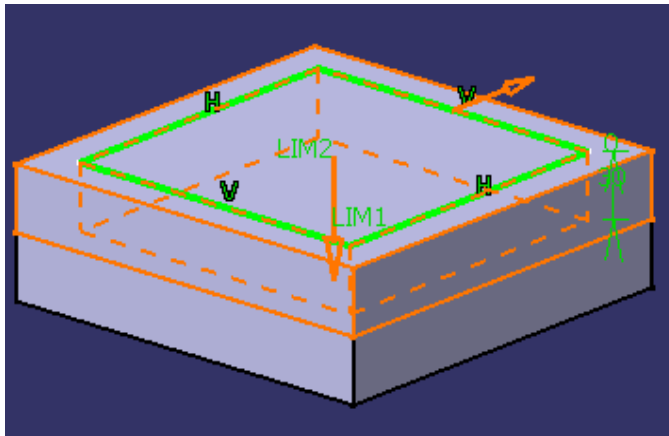
d.



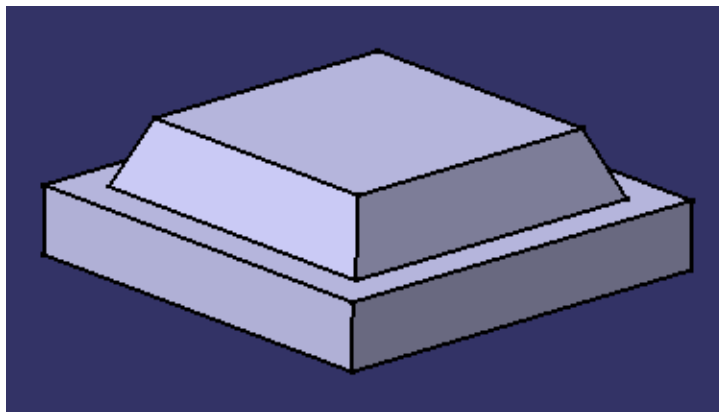
E.



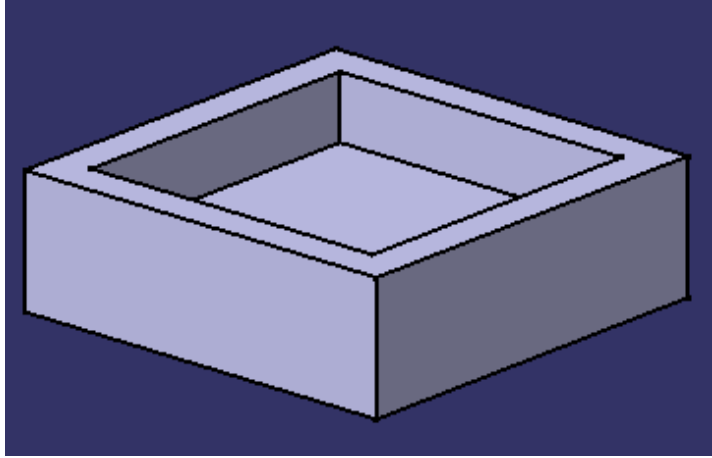
Question 6.



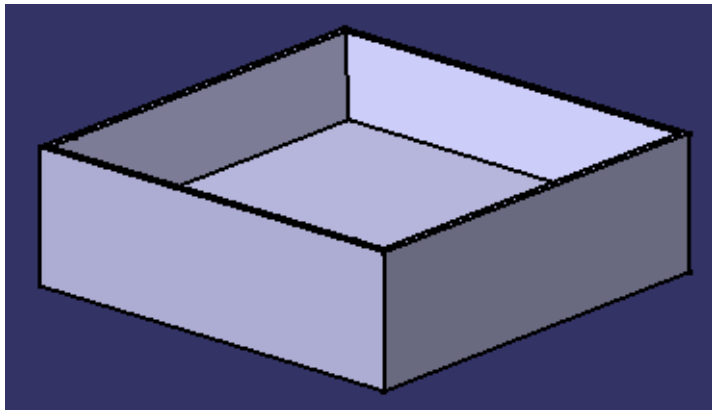
Using the part and parameters above, what would be the result of the pocket operation?



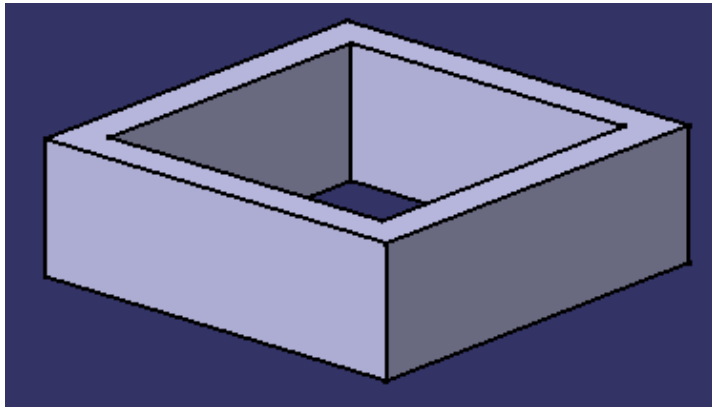
A.



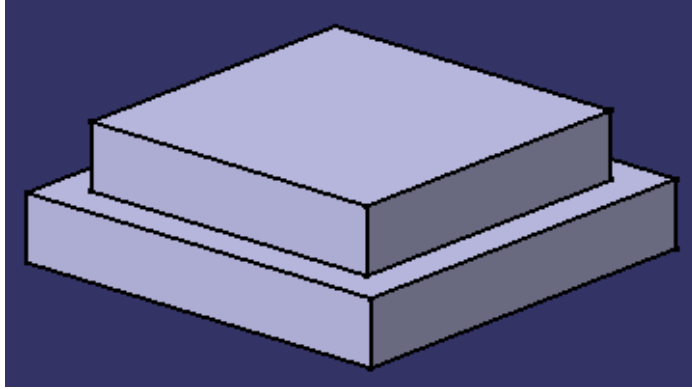
B.



C.




D.



E.


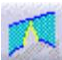


Question 8. When constraining a profile element, what does the default color of purple signify?

- A. Being projected from 3D
- B. Needing to be updated
- C. Published for sharing
- D. Currently being selected
- E. Being over constrained

Question 9. What are the conditions to be able to re-limit a loft  ?

- A. The plane normal to the spine defined at the relimitation point must intersect the guide(s) and the point(s) resulting from this intersection must belong to the section
- B. The point(s) resulting from this intersection must belong to the section
- C. The plane parallel to the spine defined at the relimitation point must intersect the guide(s) and the point(s) resulting from this intersection must belong to the section
- D. The plane normal to the spine defined at the relimitation point must intersect the guide

Question 10. Which of the following tools will Split a curve or a surface?

- A. 
- B. 
- C. 
- D. 
- E. 