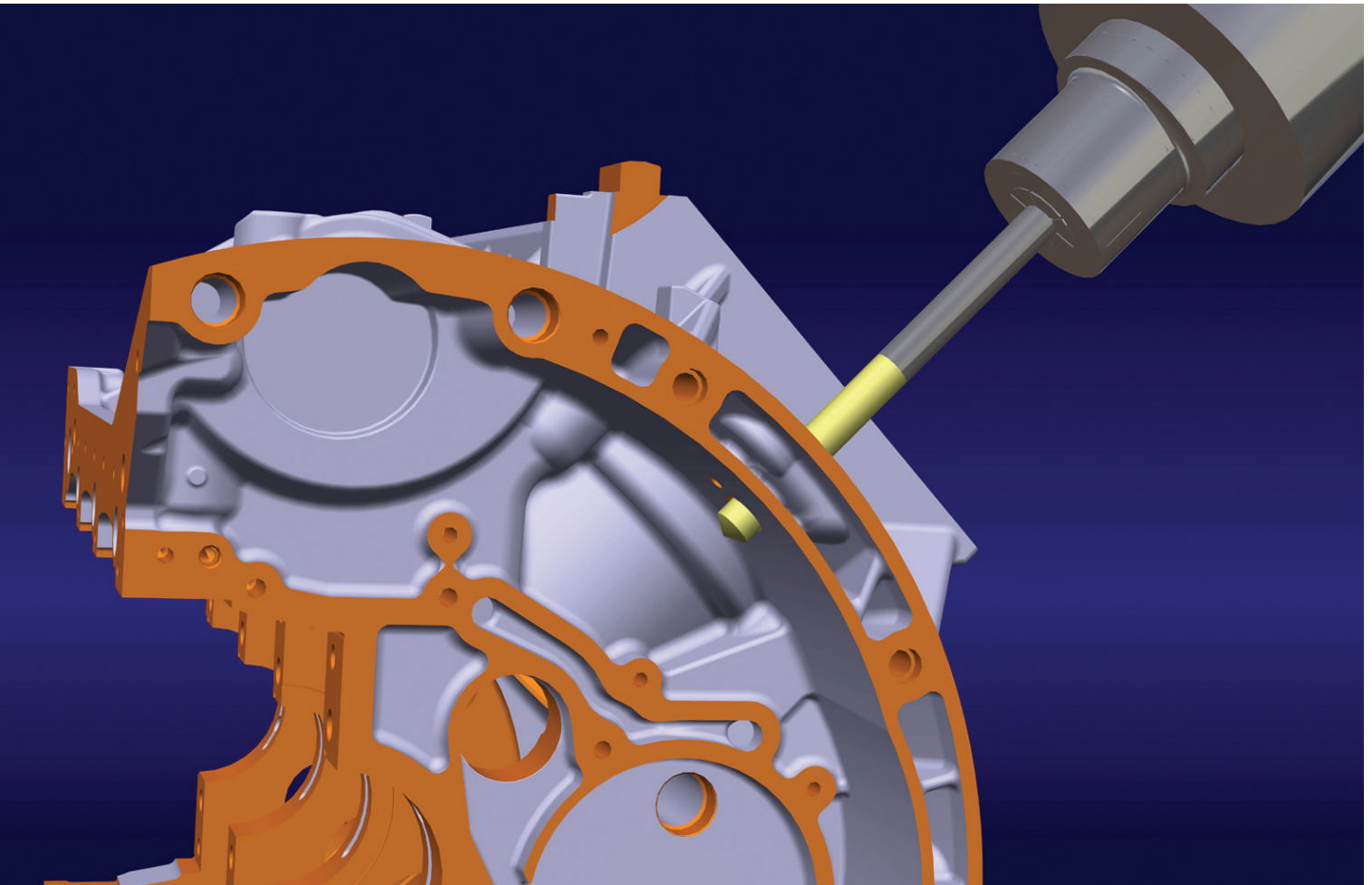


# PRISMATIC MACHINING

Datasheet



## **PROGRAM MILLING MACHINES WITH 2.5 AXIS TECHNOLOGY**

**NC PROGRAMMERS BENEFIT  
FROM FULL ASSOCIATIVITY  
WITH V6 PRODUCT DESIGNS  
AND POWERFUL MACHINING  
AUTOMATION CAPABILITIES WHICH  
CAN DRAMATICALLY REDUCE NC  
PROGRAMMING AND PROGRAM  
OPTIMIZATION TIME.**

DELMIA Prismatic Machining (MTM) enables users to program milling machines to produce parts which require advanced 2.5 axis milling, axial and probing operations. NC programmers are immersed in a V6 3D environment that delivers a lifelike experience as they create, optimize and validate their milling programs in the context of the physical machine. Through its V6 Product Lifecycle Management (PLM) environment, DELMIA Prismatic Machining also provides easy access to machining resources, NC program and part setup information that is always up-to-date.

DELMIA Prismatic Machining provides the foundation for all V6 Machining solutions; providing a full set of features for workpiece set-up, cutter tool assembly and accessory definition, and tool path simulation with material removal and NC code generation. This allows NC programmers to capture and leverage the enterprise's intellectual property and collaborate with other stakeholders as they develop, validate and optimize their NC programs.

DELMIA Prismatic Machining can be extended by adding DELMIA Milling Machining (MIM), DELMIA Extended Milling Machining (EMM), DELMIA Turning Machining (TUM) and DELMIA NC Machine Simulation (NMS).

## DELMIA V6 MACHINING

### Create and optimize 2.5 axis milling, drilling and probing operations

The DELMIA NC portfolio incorporates a wide range of machining operations for tool path definition including pocketing, facing and contouring operations. These operations can be defined as multi-level and multi-pass operations. Tool paths can be easily optimized for High Speed Machining. Point-to-point machining and a full set of axial operations – from standard drilling to more complex boring and chamfering – are also available. A dedicated trochoidal machining strategy for hard material is included as well as the unique ability to create and verify milling, drilling and probing operations. Probing operations are very flexible and can be customized using associated user parameters.

### PRISMATIC MACHINING FEATURES AUTOMATICALLY ASSOCIATED WITH PART DESIGN

DELMIA Prismatic Machining automatically recognizes any prismatic machining features which are part of the product design, significantly reducing tool path programming time. This embedded feature recognition technology automatically generates a manufacturing view of the design part – with all of the drilling and milling features to be machined – which allows for geometrical machining feature creation of design parts, even when no design feature specifications are available.

### DEDICATED STRATEGIES TO INCREASE TOOL LIFE

Dedicated strategies such as trochoidal pattern and concentric roughing help ensure a constant workload on the tool, allowing users to keep the same tool longer and reduce costs.

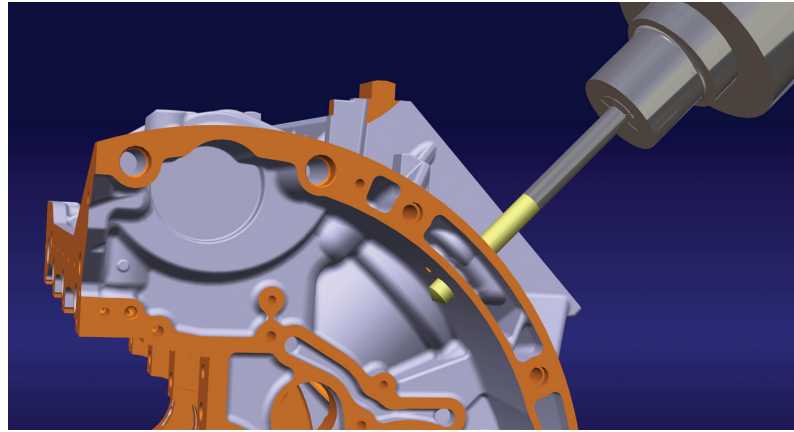
### PRODUCT HIGHLIGHTS

- Single Intellectual Property platform to manage machining resources
- Context-based, immersive user interface
- Quick tool path verification and editing
- In-process part visualization and material removal
- High level of automation and standardization
- Product design change management
- Efficient NC data generation

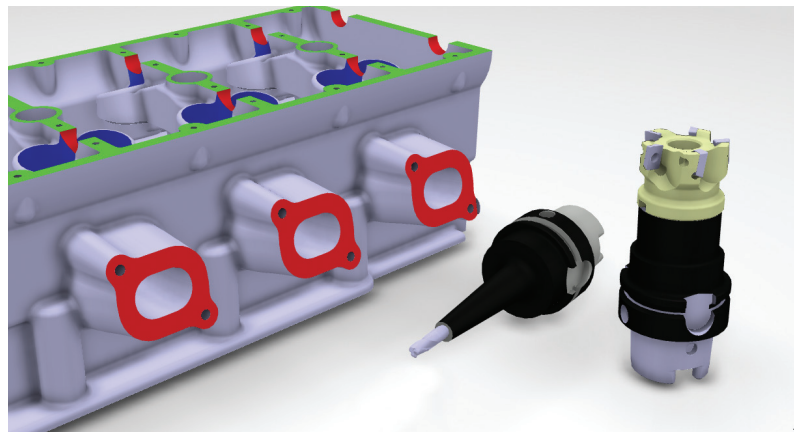
### About Dassault Systèmes

Dassault Systèmes, the 3DEXPERIENCE Company, provides business and people with virtual universes to imagine sustainable innovations. Its world-leading solutions transform the way products are designed, produced, and supported. Dassault Systèmes' collaborative solutions foster social innovation, expanding possibilities for the virtual world to improve the real world. The group brings value to over 150,000 customers of all sizes, in all industries, in more than 80 countries. For more information, visit [www.3ds.com](http://www.3ds.com).

The 3DS logo, CATIA, SOLIDWORKS, SIMULIA, DELMIA, ENOVIA, GEOVIA, EXALEAD, NETVIBES, 3DSW4M and 3DVIA are either trademarks or registered trademarks of Dassault Systèmes or its subsidiaries in the US and/or other countries.



DELMIA Prismatic Machining automatically recognizes the prismatic machining features that are part of the product design, significantly reducing tool path programming time.



Dedicated strategies ensure a constant workload on the tool, allowing users to keep the same tool longer and reduce costs.