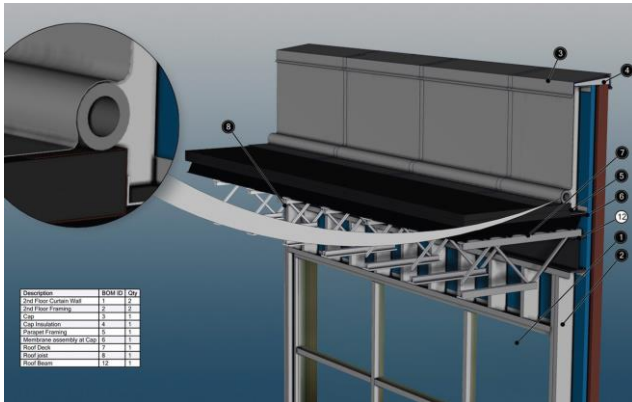


Architecture, Engineering & Construction

OPTIMIZED WORK INSTRUCTIONS

IMPROVE PROJECT EFFICIENCY AND WORKER SAFETY



DELIVER HIGHLY EFFECTIVE WORK INSTRUCTIONS FROM EXISTING 3D MODELS

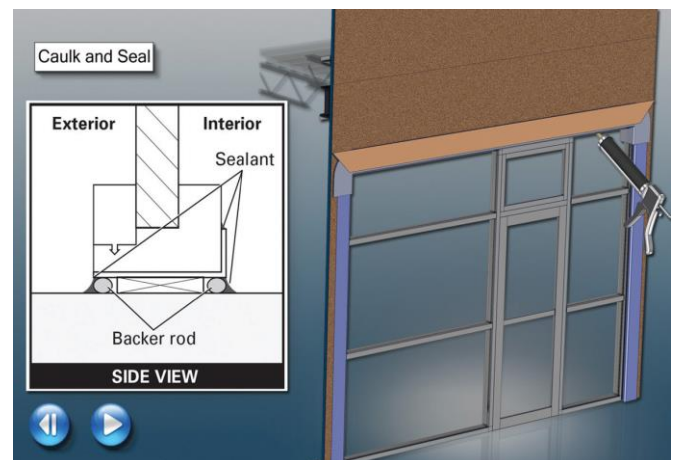
In an industry where a majority of jobs experience cost overruns or delays, construction companies are under tremendous pressure to efficiently deliver projects to the global market. The challenge is to work effectively with subcontractors around the globe to complete construction on time, and on budget, while eliminating waste and injury. One major contribution to project delay is poor communication of work instructions and documentation necessary to support the construction plan. The typical workflow for creating these instructions is highly inefficient and the final deliverables are often difficult to understand, contributing to low quality installations, project delays and compromised worker safety. CATIA Composer* leverages existing 3D design data (CAD/BIM/VDC) to enable rapid development of clear and unambiguous work instructions. By using existing CATIA design models or importing other industry formats, project teams have an efficient production process that creates easy to understand deliverables that clearly convey project schedules, train workers more effectively and consistently, and help to minimize accidents, errors and project rework.

Create Efficiently

Construction projects around the globe are optimizing construction processes by providing highly accurate 3D visuals and 2D illustrations to support scheduling and work instructions. CATIA Composer enables these materials to be created quickly and easily, helping to ensure project tasks are not delayed due to incomplete documentation. Easy to learn and intuitive to use, CATIA Composer provides an unmatched toolset for developing a variety of visual project communications directly from existing 3D design data.

Plan Collaboratively

For maximum understanding of project phases, CATIA Composer provides the ability to develop step-by-step construction animations that illustrate how to assemble, install and maintain building elements. These instructions are easily shared among project stakeholders to visually compare as-planned projects with as-executed results. This ensures buildings are built how, and components are placed where, you want them. The on-going conversation between a contractor, engineer, construction manager, designer and trades is better communicated with clear instructions that minimize errors.



Schedule Accurately

Using CATIA Composer, animated 3D instructions are created based on best practice construction process. These animations can be published to clarify scope for price evaluation, or delivered onsite to train workers on construction tasks. By being able to clearly understand the scope, contractors provide more accurate cost feedback and promote the execution of first-time-right construction with teams in the field.

Educate Effectively

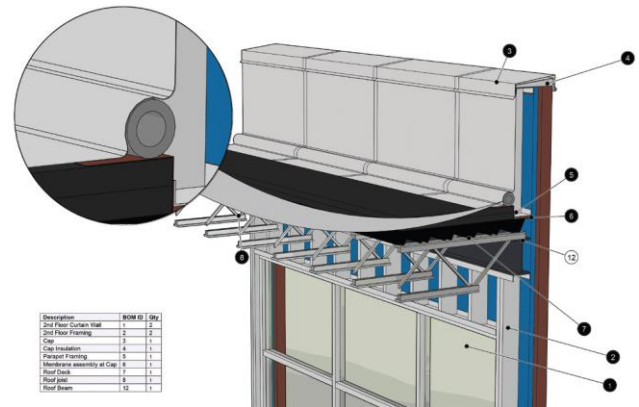
Educating new workers on construction process and practices is a challenge for any construction company. By displaying step-by-step construction procedures in 3D any ambiguity that may occur with traditional 2D static images is eliminated. Visual communications minimize the need to provide complex written instructions or hand waving to educate field teams on construction procedures. This allows non-technical teams to learn procedures faster, and minimizes the cost of localizing documents for use by non-native speaking workers.

Work Safely

CATIA Composer provides a fast and easy way to create clear visual instructions that minimize risks by ensuring workers fully understand all aspects of their required task. By illustrating what tools to use and where to use them, identifying potential hazards, or educating new employees on the company's best practices, contractors protect the health and safety of their workers while streamlining work process.

Deploy Anywhere

CATIA Composer is an ideal complement to familiar Microsoft® Office®, PDF, and HTML content delivery tools, providing enhanced communications whenever, and wherever, needed. Combined with the CATIA Composer Player and CATIA Composer Player Pro, interactive 3D work instructions can be flexibly delivered to workers according to the needs of each project



Our 3DEXPERIENCE® platform powers our brand applications, serving 12 industries, and provides a rich portfolio of industry solution experiences.

Dassault Systèmes, the 3DEXPERIENCE® Company, provides business and people with virtual universes to imagine sustainable innovations. Its world-leading solutions transform the way products are designed, produced, and supported. Dassault Systèmes' collaborative solutions foster social innovation, expanding possibilities for the virtual world to improve the real world. The group brings value to over 190,000 customers of all sizes in all industries in more than 140 countries. For more information, visit www.3ds.com.



Americas
Dassault Systèmes
175 Wyman Street
Waltham, Massachusetts
02451-1223
USA

Europe/Middle East/Africa
Dassault Systèmes
10, rue Marcel Dassault
CS 40501
78946 Vélizy-Villacoublay Cedex
France

Asia-Pacific
Dassault Systèmes K.K.
ThinkPark Tower
2-1-1 Osaki, Shinagawa-ku,
Tokyo 141-6020
Japan