

CORIOLIS SOFTWARE (1/2)

SOFTWARE PARTNER
V5 partner



SOFTWARE PARTNER
V6 member



“Use the force...”

CATIA XME

Coreq Prereq
SUR
MDE
CMP
MCE
SFE
STA

DELMIA

Coreq Prereq
MTM
MIM
NMB

DELMIA

Coreq Prereq
MTM
NMS
NMB

▶ CATFiber Export CAA V6 Based *(add-on to CPD workbench)*

- ▶ Export composites plies to CADFiber standalone AFP software

▶ CATFiber Design CAA V6 Based

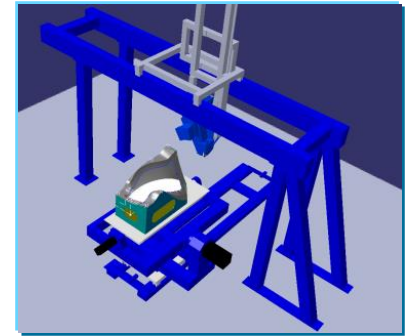
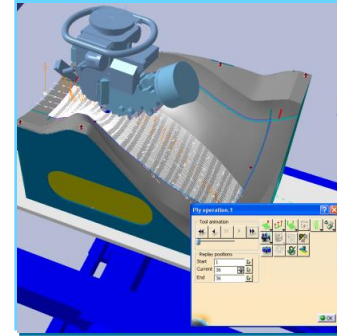
- ▶ Manufacturability analysis for composites designers in CATIA V6 CPD
- ▶ Fiber simulation using material and machine constraints
- ▶ Advanced lay-up surface (FE mesh) and rosette transfers
- ▶ Automatic ply sectorization for optimizing lay-up paths

▶ CATFiber AFP-ATL Programming CAA V6 Based

- ▶ Advanced composites programming in DELMIA V6
- ▶ Machine-independent tool-path strategies
- ▶ Automated Tape Laying (ATL) process simulation add-on

▶ CATFiber AFP-ATL Machine Simulation CAA V6 Based

- ▶ Advanced motion planner for both CNC machines and complex robot work cells
- ▶ Machine simulation using controller emulator, post-processors



[\[Click here for Industry Legend\]](#)



Contact:

Yvan BLANCHARD
+33 (0)2 97 59 45 26
yvan.blanchard@coriolis-composites.com

Partner Website:

www.coriolis-composites.com



“Use the force...”

CATFiber Export CAA V5 Based *(add-on to CPD workbench)*

- ▶ Export composites plies to CADFiber standalone AFP software

CATFiber Design CAA V5 Based

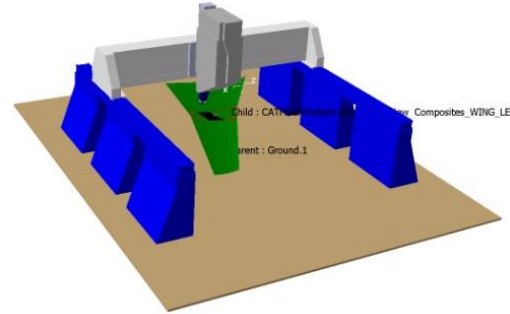
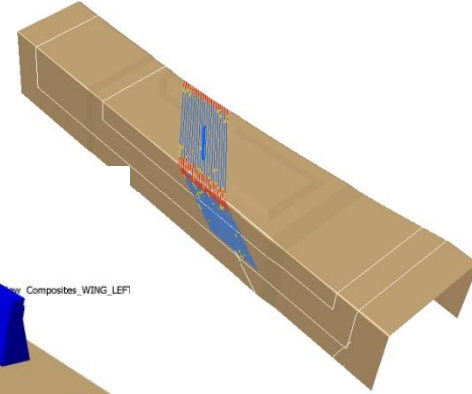
- ▶ Manufacturability analysis for composites designers in CATIA V5 CPD
- ▶ Fiber simulation using material and machine constraints
- ▶ Advanced lay-up surface (FE mesh) and rosette transfers
- ▶ Automatic ply sectorization for optimizing lay-up paths

CATFiber Manufacturing CAA V5 Based

- ▶ Advanced composites programming in DELMIA V5
- ▶ Machine-independent tool-path strategies
- ▶ True fiber angle export add-on for FE Analysis (Abaqus, Nastran,..)
- ▶ Trimming process simulation add-on

CATFiber Simulation CAA V5 Based

- ▶ Advanced motion planner for both CNC machines and complex robot work cells
- ▶ Machine simulation with controller emulator and post-processors *[Click here for Industry Legend]*



CATIA CD3 or HD2

Coreq	Prereq
CPM*	
GPS	
FMS	
STL	

(*) Only for HD2

DELMIA MP2 or

CATIA CD3 or HD2

Coreq	Prereq
MPR**	
MNV**	
CPM*	
-	

(**) Only for MP2

DELMIA WL2

Coreq	Prereq
MPS	
MSA	
MTB	
DBG	

Contact:

Yvan BLANCHARD
 +33 (0)2 97 59 45 26
yvan.blanchard@coriolis-composites.com

Partner Website:

www.coriolis-composites.com

3DS.COM @ Dassault Systemes | Confidential Information | Last Update: March 2013



IF WE ask the right questions
 we can change the world.