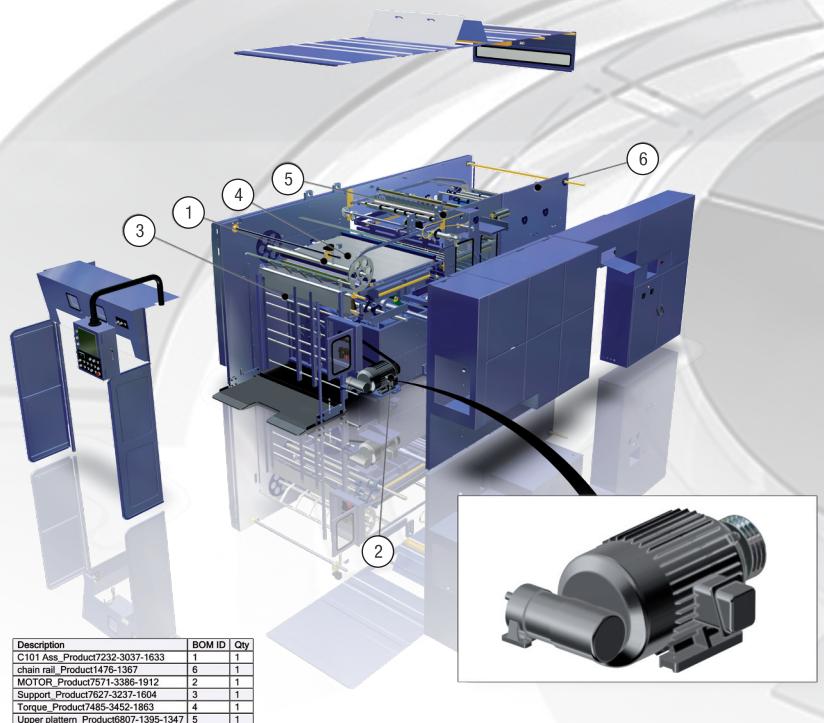


# Simple Solutions for Complex Machines

ADD A NEW DIMENSION TO YOUR INDUSTRIAL COMMUNICATIONS

**Industrial equipment providers** across the globe are optimizing business processes, accelerating time to market, and communicating technical product information more clearly with 3DVIA Composer. By leveraging existing 3D design data, 3DVIA Composer enables manufacturers to initiate downstream product communications earlier, and keep deliverables up-to-date whenever designs change.

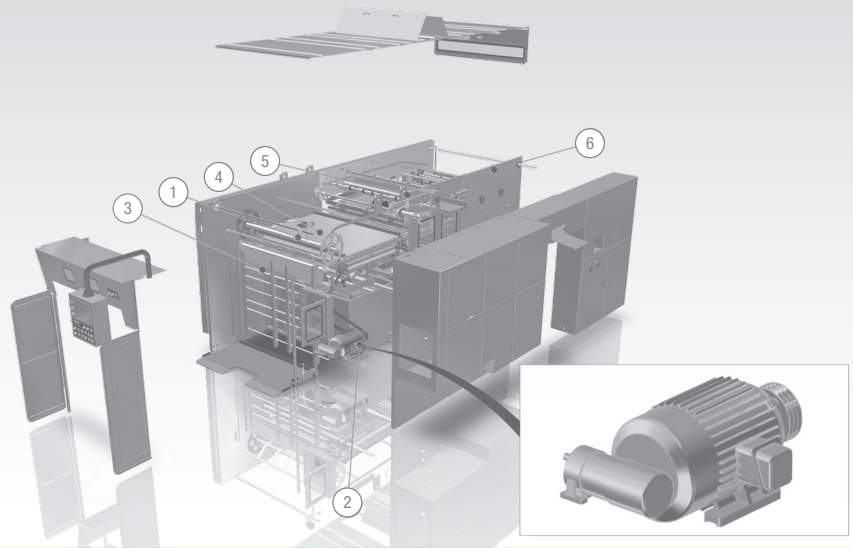
An easy-to-learn and intuitive-to-use desktop content creation solution, 3DVIA Composer provides an unmatched toolset for developing and deploying 2D and 3D images and animations. This content can be deployed to meet a wide variety of communication needs including product documentation, technical illustrations, animated assembly instructions, interactive service and training applications, and sales and marketing collateral.



# INDUSTRIAL EQUIPMENT INDUSTRY

EFFICIENT PRODUCT COMMUNICATION

Description	BOM ID	Qty
C101 Ass_Product7232-3037-1633	1	1
chain rail_Product1476-1367	6	1
MOTOR_Product7571-3386-1912	2	1
Support_Product7627-3237-1604	3	1
Torque_Product7485-3452-1863	4	1
Upper plattenn_Product6807-1395-1347	5	1



"3DVIA Composer helped reduce the time required to prepare technical documentation by 50%."

**S.V. Savikhin**  
JSC 'TYAZHMASH' Industrial  
Equipment Manufacturers

## ADD A NEW DIMENSION TO PRODUCT COMMUNICATIONS

### Communicate Clearly

Industrial equipment manufacturers often struggle with finding ways to clearly communicate technical details on the large, complex assemblies that they produce. This is especially critical when working with opportunities in emerging markets, however all too commonly they are forced to rely on antiquated 2D methods for creating potentially confusing low quality images and illustrations. 3DVIA Composer works directly with your 3D industrial equipment design data enabling the rapid development of product-supporting illustrations. And with a broad collection of rendering tools, users can efficiently produce easily understandable 2D vector graphics and visually stunning 3D renderings to better support product communication needs.

### Operate Efficiently

Product teams are often forced to rely on engineers to produce the graphics used in product communications. Not only is this process time consuming, but it pulls engineers away from higher value tasks. Additional time pressures often occur with industrial equipment products that have multiple configurations, each requiring customized documentation. By enabling users to leverage original 3D design data, 3DVIA Composer helps product deliverables to be initiated earlier in the design process and kept up to date as designs change. The result is a significantly more efficient process that speeds time to market and minimizes costly rework.

### Share Easily

CAD models for industrial equipment can be large and difficult to manage. 3DVIA Composer automatically converts data into a lightweight and optimized format, allowing for rapid load speeds and efficient memory use on even the most complex assemblies. This data can then easily be leveraged to create product-supporting applications that can be shared across the enterprise.

### Deliver Consistently

Creating regulatory documentation, manufacturing instructions, or service and support material for industrial equipment is a time consuming and costly process. 3DVIA Composer allows for these materials to be created quickly and easily, helping to ensure a consistent level of support across product lines - even when they are built to order.

### Deploy Flexibly

With support for an array of 2D and 3D export formats, 3DVIA Composer is an ideal complement to familiar Microsoft® Office®, PDF, and HTML content delivery tools. And with 3DVIA Composer Player and 3DVIA Composer Player Pro, interactive 3D product experiences can be easily delivered to partners and customers alike.

### Share Securely

To help safeguard your proprietary designs, 3DVIA Composer is the only solution offering users two powerful ways to safeguard to intellectual property. With definable 'Right Manager' settings in 3DVIA Composer Player, access to content can be controlled; and with patented 'Secure 3D' technology, designs can be precisely altered to prevent reverse engineering.

[www.3dvia.com](http://www.3dvia.com)

