

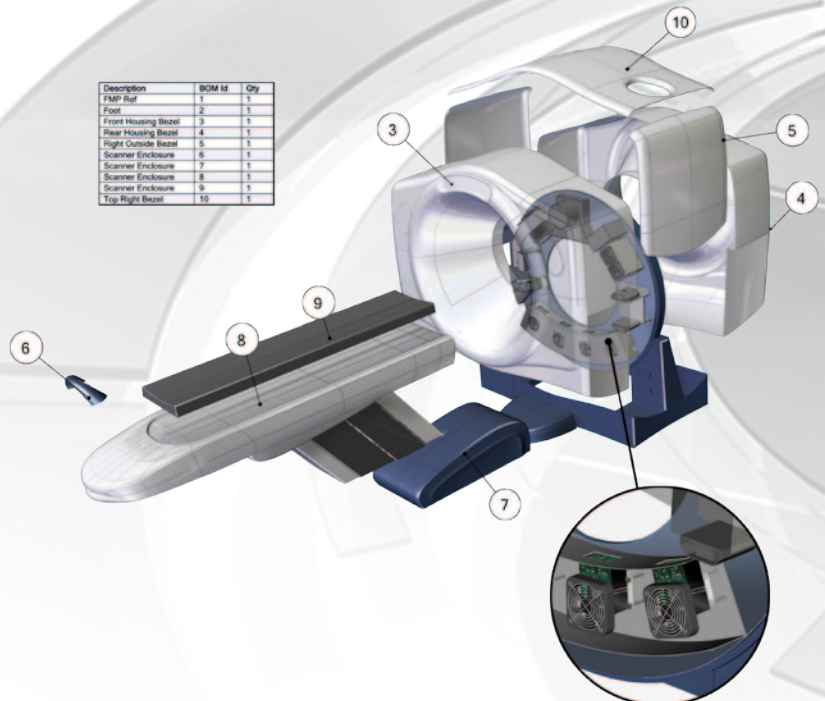
# Adrenaline for product development

PRODUCT COMMUNICATION FOR THRIVING BUSINESSES

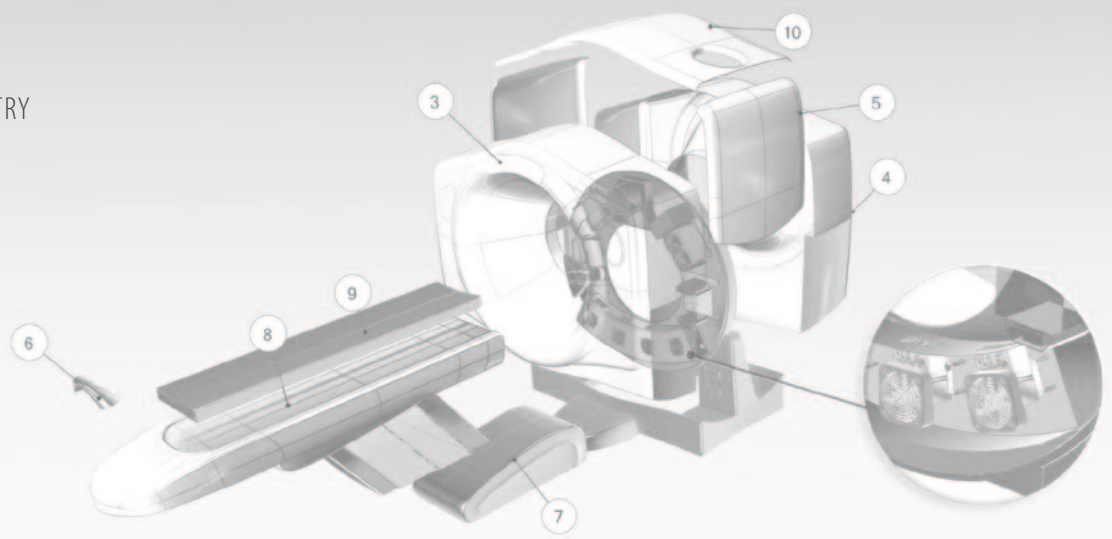
## 3DVIA Composer is aligned to your entire business process

- Proactively work with design and downstream organizations to ensure requirements are met, well documented, and exceed customer expectations
- Effortlessly share and distribute detailed product information where it is needed, to promote quality and keep project schedules on track
- Fully engage customers with lifelike product experiences tailored to their unique project requirements
- Economically manage technical communications with global suppliers with the security of industry leading intellectual property protection
- Interactively begin product training prior to product release to improve comprehension, schedule, and product success
- Efficiently leverage upstream project documents or quickly propagate changes downstream with minimal effort

Description	BOM Id	Qty
FMP Buf	1	1
Foot	2	1
Front Housing Bezel	3	1
Rear Housing Bezel	4	1
Right Outside Bezel	5	1
Scanner Enclosure	6	1
Scanner Enclosure	7	1
Scanner Enclosure	8	1
Scanner Enclosure	9	1
Top Right Bezel	10	1



Description	BOM Id	Qty
FMP Ref	1	1
Fast	2	1
Front Housing Bezel	3	1
Rear Housing Bezel	4	1
Right Outside Bezel	5	1
Scanner Enclosure	6	1
Scanner Enclosure	7	1
Scanner Enclosure	8	1
Scanner Enclosure	9	1
Top Right Bezel	10	1



### PURSUIT OF PERFECTION

The medical device industry faces an array of challenging regulatory and product safety compliance issues. When combined with the ever increasing speed of technological innovation, change is inevitable—but must not impact project schedules or product quality. Compound this transformational challenge with intense competition and eroding margins, and the goal of maintaining a thriving company becomes a continuous effort of improvements in every facet of business.

### An enabling technology

Industry leading medical device manufacturers aggressively pursue a streamlined process for designing and manufacturing products as well as implementing technologies to help manage those processes and their product portfolios. Even when process improvements are executed flawlessly, invisible forces often resist process changes when information cannot be clearly communicated throughout the product lifecycle. Adopting technology to enhance product and project communication acts as an enabler and catalyst to achieve massive productivity savings.

### Lifelike experiences

Effectively communicating and tracking increasingly technical information helps to counteract the invisible forces that fight change, allowing business efficiency to improve. Through a powerful configurable platform, 3D CAD and traditional information can coexist in a communication experience that brings your products to life.

### The elegance of simplicity

Adaptability without extensive customization ensures quick alignment to industry-specific medical device business processes. With the power to easily integrate into other applications, product and project data seamlessly flow throughout the enterprise and extended organizations to where they are needed most.

### Impacting the bottom line

3D VIA Composer is a proven solution that will enable your entire enterprise to derive the most value from its 3D assets, while simultaneously saving time over current processes. Let us demonstrate how the benefits of a truly open 3D communication system can help you manage, optimize, and standardize project execution processes to improve your bottom line.

### 3D VIA Composer Includes

- A complete technical content creation solution
- Distributable interactive product experiences
- Unsurpassed intellectual property protection
- Flexible and adaptable architecture
- An easily integrated open data format

### Extending the global enterprise

While globalization may afford opportunities for new efficiencies, effective communication among disparate regions is often difficult to achieve. With 3D VIA Composer, organizations converse using the universal language of 3D, combined with additional information, intelligence, and traditional 2D information. This new communication paradigm replaces error prone ad hoc systems, and eliminates time consuming manual processes to continuously update project information. Combining these benefits with a high-performance platform to deliver interactive product experiences to extended user communities, with industry leading intellectual property protection, quickly erodes the communication barriers of globalization.

### Taking charge of change

Increased technical complexity makes dealing with change a burdensome task. Proactively ensure a robust system and well documented process by providing the tools to slash document development time and easily incorporate product design changes into all of your communications material. Whether it is a fully interactive service procedure to train technicians, or a series of illustrations to explain assembly steps, all documentation is quickly updated when change inevitably occurs.

### Control the critical path

The ability to efficiently document projects directly impacts time to market as well as product quality. By efficiently leveraging upstream project documents or even updating prior project data, documentation moves most of its operations in parallel with design. Robust workflows make new documentation for global or regional markets a breeze, offering a much needed edge in an increasingly competitive marketplace.

[www.3dviacomposer.com](http://www.3dviacomposer.com)

