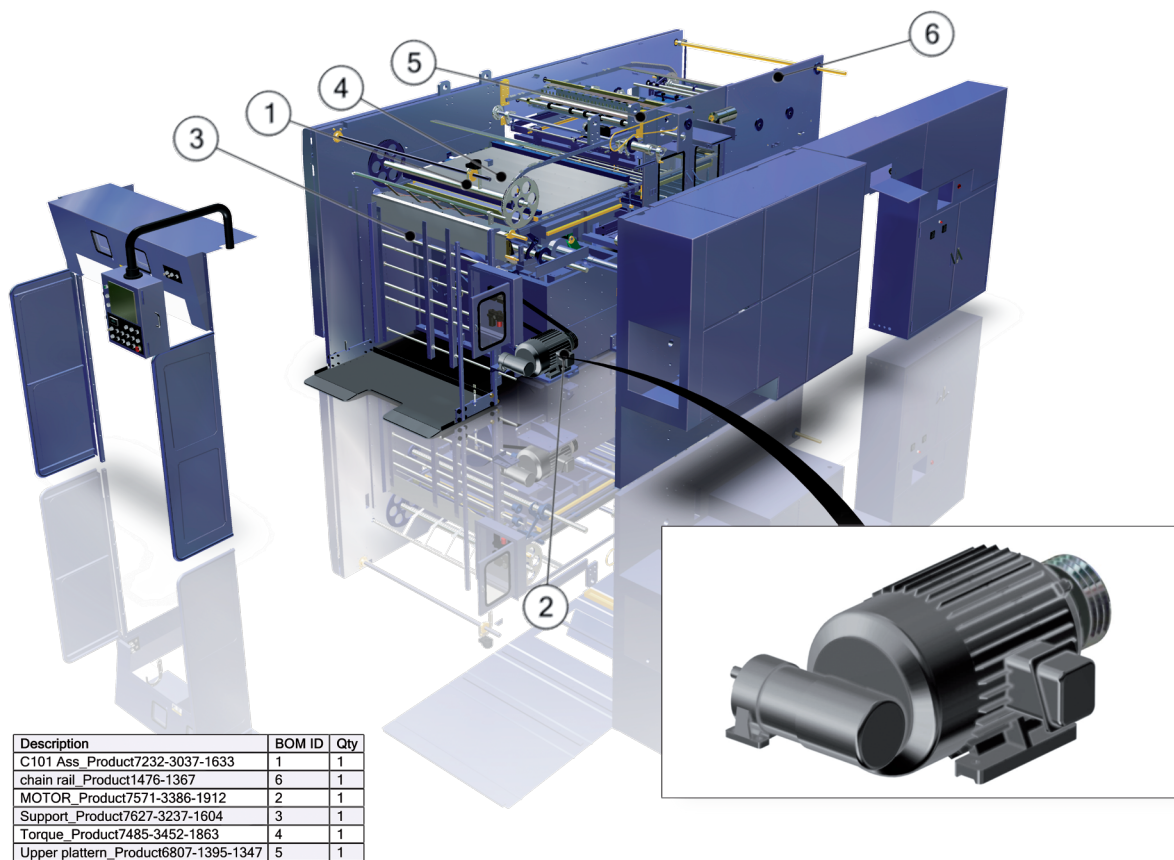


3DVIA COMPOSER FOR INDUSTRIAL EQUIPMENT



REPURPOSE EXISTING 3D DESIGN DATA TO MAXIMIZE THE EFFECT OF PRODUCT COMMUNICATIONS

3DVIA Composer helps initiate 2D and 3D product communications earlier and keep them up-to-date automatically whenever designs change.

Industrial equipment manufacturers across the globe are optimizing business processes, accelerating time to market, and communicating technical product information more clearly with 3DVIA Composer. Easy to learn and intuitive to use, 3DVIA Composer provides an unmatched toolset for developing and deploying stunning illustrations and animations to support a wide variety of product communication needs. This allows product deliverables such as documentation, animated assembly instructions, interactive maintenance applications, and sales and marketing collateral to be produced more efficiently and communicate product information more effectively.

ADD A NEW DIMENSION TO PRODUCT COMMUNICATIONS

Communicate Clearly

Industrial equipment manufacturers are under continuous pressure to communicate technical information associated with the large, complex assemblies they produce. This pressure is especially evident in the product development process with the need to supply product documentation and work instructions for product assembly, operation, and maintenance on a global scale. Unfortunately, typical workflows for creating this material are highly inefficient and the final product is often confusing.

3DVIA Composer works directly with existing 3D design data (CAD) to enable the rapid development of unambiguous 2D illustrations and 3D animations. By leveraging exact design representations, teams can work faster while producing more clear and understandable product communications.

Operate Efficiently

Product documentation and support teams are often forced to rely on engineers to produce the graphics used in system documentation and operation. By enabling users outside engineering to leverage 3D design data, 3DVIA Composer helps product deliverables to be initiated before designs are finalized and kept up to date automatically as they change. The result is a significantly more efficient process that speeds time to market and allows engineers to focus on higher value tasks and minimizes costly rework.

Share Easily

CAD models for industrial equipment products are complex and difficult to manage. 3DVIA Composer automatically converts data into a lightweight format, allowing for rapid load speeds and efficient memory use on even the most detailed assemblies. This data can then easily be leveraged to create visual communications that can be easily shared between internal teams and external partners.

Deliver Consistently

Creating product documentation, manufacturing instructions, or service and support material is a time consuming and costly process. 3DVIA Composer allows for these materials to be created quickly and easily, helping to ensure a consistent level of operation across the enterprise.

Deploy Flexibly

3DVIA Composer is an ideal complement to familiar Microsoft® Office®, PDF, and HTML content delivery tools. Combined with the 3DVIA Composer Player and 3DVIA Composer Player Pro, interactive 3D maintenance and operation instructions can be flexibly delivered according to individual needs.

Share Securely

To help safeguard intellectual property, 3DVIA Composer is the only solution offering users two powerful ways to safeguard protect designs. With definable 'Right Manager' settings in 3DVIA Composer Player, access to content can be controlled; and with patented 'Secure 3D' technology, geometry can be precisely altered to prevent reverse engineering.

CUSTOMER QUOTE

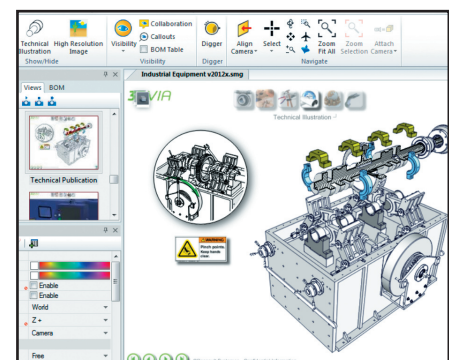
"3DVIA Composer helped reduce the time required to prepare technical documentation by 50%."

S.V. Savikhin

JSC 'TYAZHMASH' Industrial Equipment Manufacturers

CUSTOMER BENEFITS

- Clearly communicate design intent
- Reduce documentation time
- Improve manufacturing quality and reduce errors
- Update deliverables automatically when designs change
- Bring products to market faster
- Differentiate from the competition



Contact us to discover for yourself how **3DVIA Composer** can help you get maximum value from your existing IT investments.

Visit www.3dviacomposer.com to learn more.



DSAC/3DVIA
175 Wyman Street
Waltham, MA 02451
United States