

# 3DVIA Composer R2014x

## Fact Sheet

“Add a New Dimension to Your Product Communications”



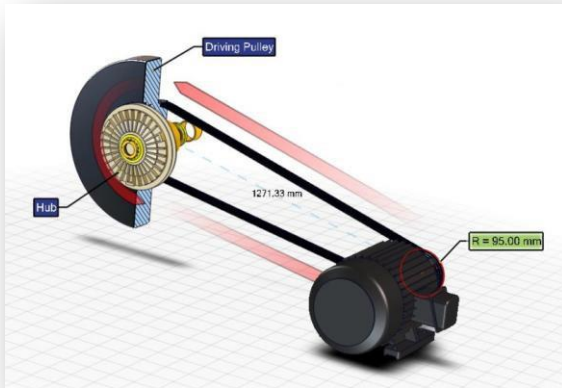
**3DEXPERIENCE**

Version 1.0 - 4/23/2014

## Table of contents

1.	3DVIA Composer: VALUE AT A GLANCE .....	3
2.	3DVIA Composer: Overview .....	4
2.1.	Immediate Productivity with Long term Value .....	4
2.2.	A complete system for maximum productivity .....	5
2.2.1.	3DVIA Composer Player .....	6
2.2.2.	3DVIA Composer Player Pro .....	7
2.2.3	3DVIA Composer Player Pro Publishing .....	8
2.2.4	3DVIA Sync and 3DVIA Enterprise Sync .....	8
2.2.5	3DVIA Check and 3DVIA Path Planning .....	8
3.	3DVIA Composer: R2014x Key Enhancements.....	9
3.1.	Win8 multi-touch support.....	9
3.2.	Viewport-Zoom Factor Prope.....	10
3.3.	Polyline - Back line & Front line .....	10
3.4.	FT&A – Enhanced support.....	11
3.5	Extremity Enhancements .....	12/13
3.6.	Spatial R23 support.....	13
3.7.	SolidWorks 2014 Support.....	13
3.8.	Minor Developments .....	14

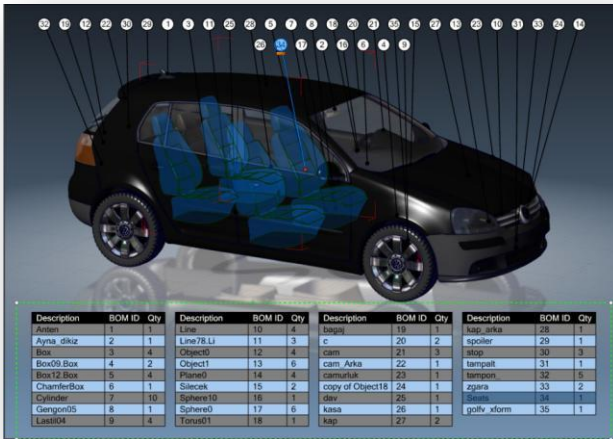
# 1. 3DVIA Composer: VALUE AT A GLANCE



Today's product developers are cutting costs, saving time, and growing their competitive advantage with 3DVIA Composer, the next generation of 3D content authoring software. A flexible and easy-to-use desktop content creation system, 3DVIA Composer streamlines the creation of product documentation and technical illustrations. For more dynamic product communication needs, 3DVIA Composer also provides a highly efficient platform for creating animated 3D assembly and maintenance instructions, and interactive marketing communications.

Based on a lightweight XML architecture, 3DVIA Composer allows non-technical users to create associative 2D and 3D product deliverables directly from CAD data. 3DVIA Composer helps lower costs and improves time to market by enabling product deliverables to be initiated earlier and updated automatically whenever designs change. By leveraging the power of interactive 3D, manufacturers can produce technical product communications that engage viewers more effectively and clearly explain complex information.

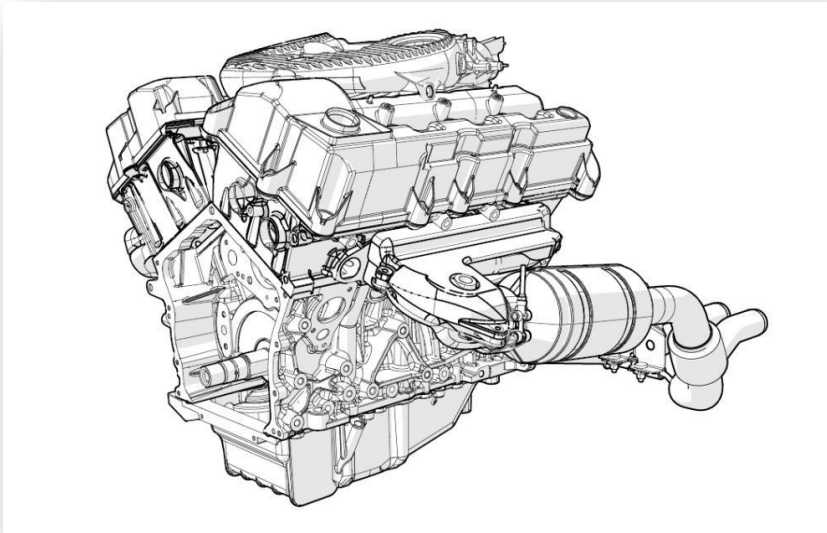
## 2. 3DVIA Composer: Overview



3DVIA Composer revolutionizes the ability for enterprises of all sizes to communicate technical product information. With its easy-to-use desktop content-creation system, 3DVIA Composer quickly and easily automates creation of technical illustrations, interactive 3D animations, assembly and disassembly procedures, training applications, sales and marketing tools, and more.

### 2.1. Immediate Productivity with Long term Value

3DVIA Composer allows non-technical users to create associative 2D and 3D product deliverables directly from digital product data.



Easy to learn and use, 3DVIA Composer is an ideal complement to content-creation tools end-users are already familiar with, such as Microsoft® Office® applications, HTML, and PDF.

3DVIA Composer ties together desktop and enterprise systems for both content consumers and content creators. Because it is an XML-based architecture, 3DVIA Composer is easily integrated with any enterprise information system, including product lifecycle management (PLM) and enterprise resource planning (ERP) applications.

## 2.2. A complete system for maximum productivity

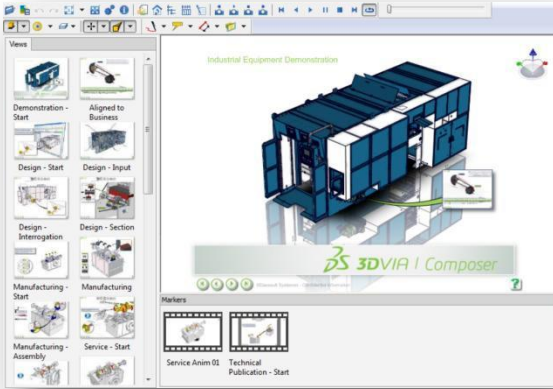
**3DVIA Composer** is easy to learn and intuitive to use. It is an ideal complement to existing content delivery tools such as Microsoft Office, PDF, and HTML. Even users inexperienced with 3D CAD applications easily create high quality 2D illustrations and interactive 3D animations to support technical product communications.

- Maximize the value of existing product 3D CAD data across the enterprise.
- Clearly communicate product intent with stakeholders during the design phase.
- Better address sales, marketing, customer service, training, support, and manufacturing product communication needs.
- Work in an intuitive authoring environment that does not require previous CAD experience.

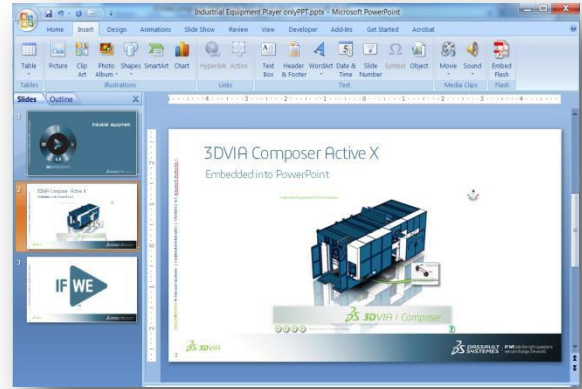
- Reduce reliance on engineers to support product deliverables.
- Communicate technical details more clearly.
- Begin creating product deliverables earlier in the design cycle.
- Deliver products to market faster.
- Keep content up to date automatically.
- Drive down production costs.
- Provide more comprehensive training materials.
- Improve customer service.
- Win new business.

### 2.2.1. 3DVIA Composer Player

**3DVIA Composer Player** a free utility, allows content creators to distribute 3DVIA Composer content to any end user with the same high performance as 3DVIA Composer. It includes an ActiveX version offering the ability to embed and control 3D interactive content anywhere in any application that supports ActiveX technology. It also includes a plug-in to Adobe Reader to enable enhanced distribution of 3DVIA Composer content within a PDF file. More robust than a simple viewer, 3DVIA Composer Player offers content consumers a highly interactive experience with product deliverables.



**3DVIA Composer Player**



**3DVIA Composer Player ActiveX**



**3DVIA Composer Player Plug-in for Adobe Reader**

### 2.2.2. 3DVIA Composer Player Pro

**3DVIA Composer Player Pro** offers a powerful API to allow users to query, manipulate, interact, and display – in real time – 3DVIA Composer content integrated with data originating from external sources. This enables the



development of 3D interactive custom applications and creates 3D product experiences anywhere the 3DVIA Composer Player ActiveX can be used.

### 2.2.3 3DVIA Composer Player Pro Publishing

**3DVIA Composer Player Pro Publishing** provides a publishing solution for situations where a 3DVIA Composer Player Pro “Enterprise Deployment” is not possible, such as when an application is distributed via portable/removable media, web portals, or the Internet. In such cases, a "Publishing Deployment" is offered through the 3DVIA Composer Player Pro Publishing agreement and order form. The Publishing Deployment mechanism provides the licensee with a special programmatic handshake with the embedded ActiveX controls, removing the need for the end users to have a 3DVIA Composer Player Pro license.

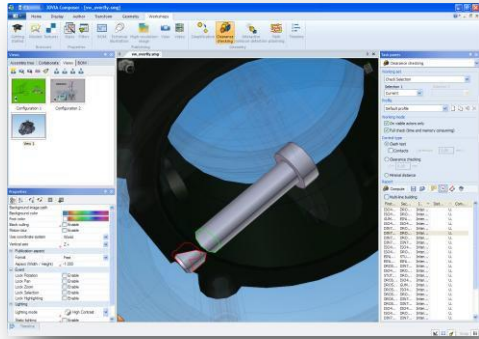
### 2.2.4 3DVIA Sync and 3DVIA Enterprise Sync

**3DVIA Sync** and **3DVIA Enterprise Sync** deliver sophisticated, XML-based associativity between 3DVIA Composer and any number of enterprise systems. 3DVIA Sync is a product to create batch conversion processes from 3D CAD and other 3D formats into the 3DVIA Composer format. It is designed to automatically incorporate design changes in geometry, meta data, and product structure directly into 3DVIA Composer content. 3DVIA Enterprise Sync offers all of the capabilities of 3DVIA Sync plus the ability to control conversions and updates through a command-line interface, so that converting, updating, and publishing 3DVIA Composer deliverables can be automated and controlled by external systems.

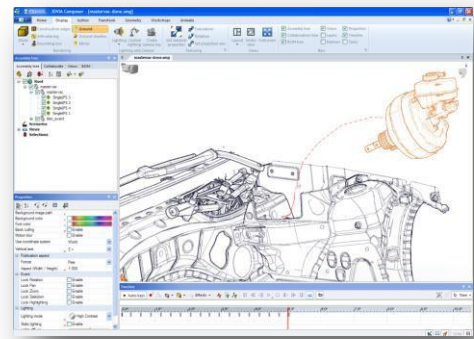
### 2.2.5 3DVIA Check and 3DVIA Path Planning

**3DVIA Check** and **3DVIA Path Planning** make product deliverables more useful and instructive by validating that the procedures can actually be performed in the real world. 3DVIA Check offers dynamic and static clash detection, allowing users to quickly qualify service and assembly procedures. 3DVIA Path Planning can automatically create assembly and disassembly paths for parts and subassemblies to avoid collisions with the rest of the assembly. 3DVIA Path Planning allows content creators to plan and guarantee access to components within the assembly to service or repair them.





**3DVIA Composer Check**



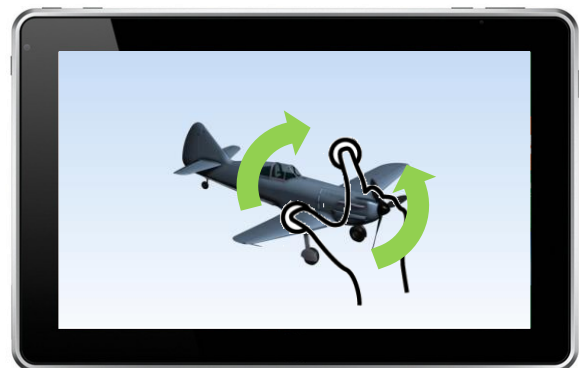
**3DVIA Composer Path Planning**

### 3. 3DVIA Composer: R2014x Key Enhancements

3DVIA Composer is the leading solution for creating highly effective product communications across all manufacturing industries. In V6R2014x, users benefit from new features and enhancements in publishing, import capabilities, measurement, viewing and authoring 2D and 3D product experiences.

#### 3.1. Win8 multi-touch support

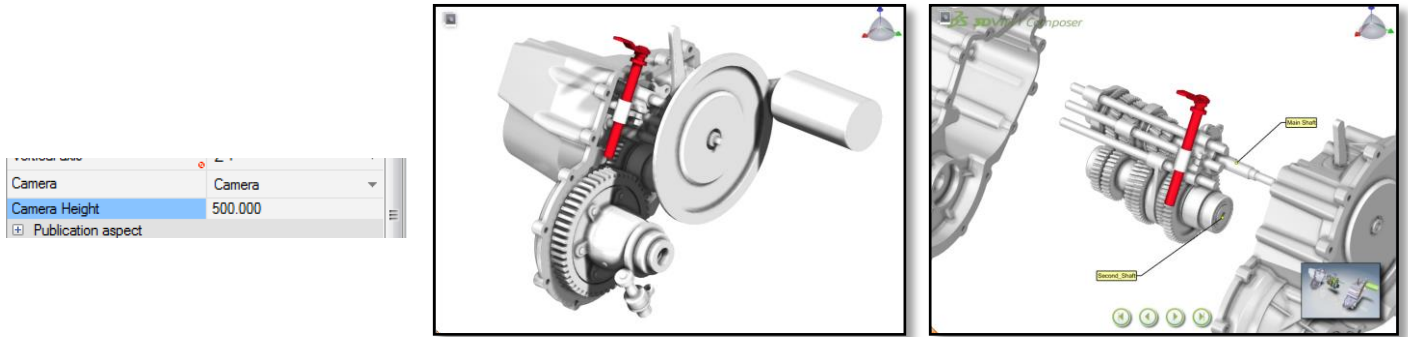
Let people Author and Play Composer experiences on Win8 tablets. Take benefit from the Win8 tablets gesture ergonomY. The same experience can be played on both Desktop and tablet devices.



### 3.2. Viewport - Zoom factor property

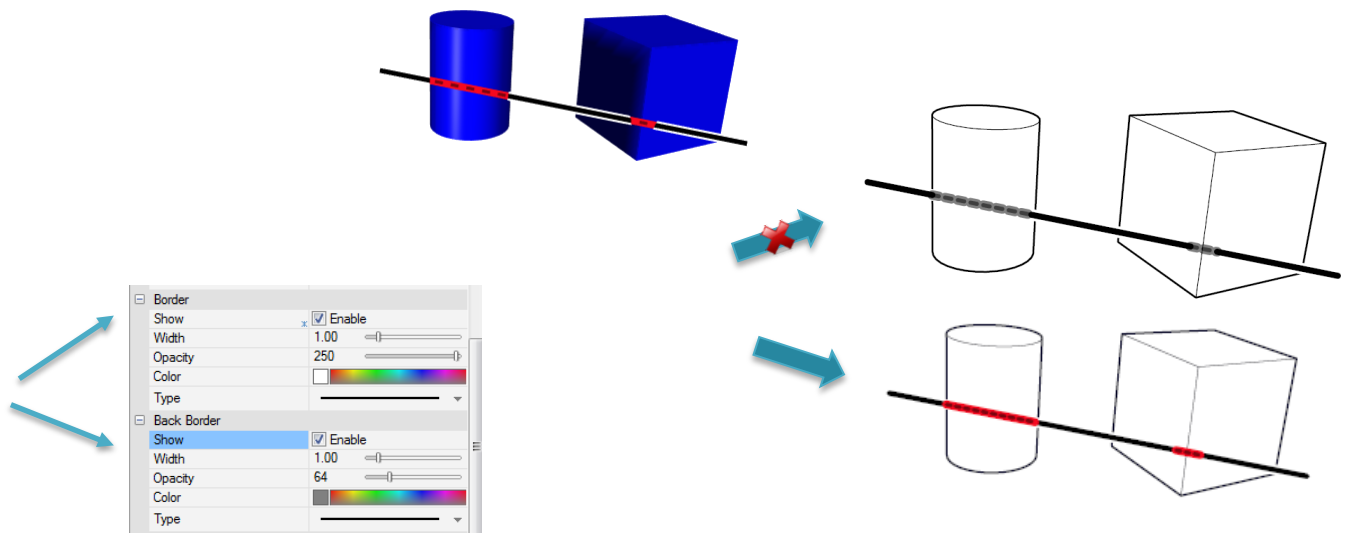
New property to control the camera height of the viewport navigator (main camera).

Benefits: Allow the user to work with the same scale, in different views.



### 3.3. Polyline - Back line & Front line

Add new properties to manage the border of the polyline back-line: color, width, opacity and type Benefits: Be homogenous with the front line border. Be WYSIWYG between interactive 3D and technical illustration.



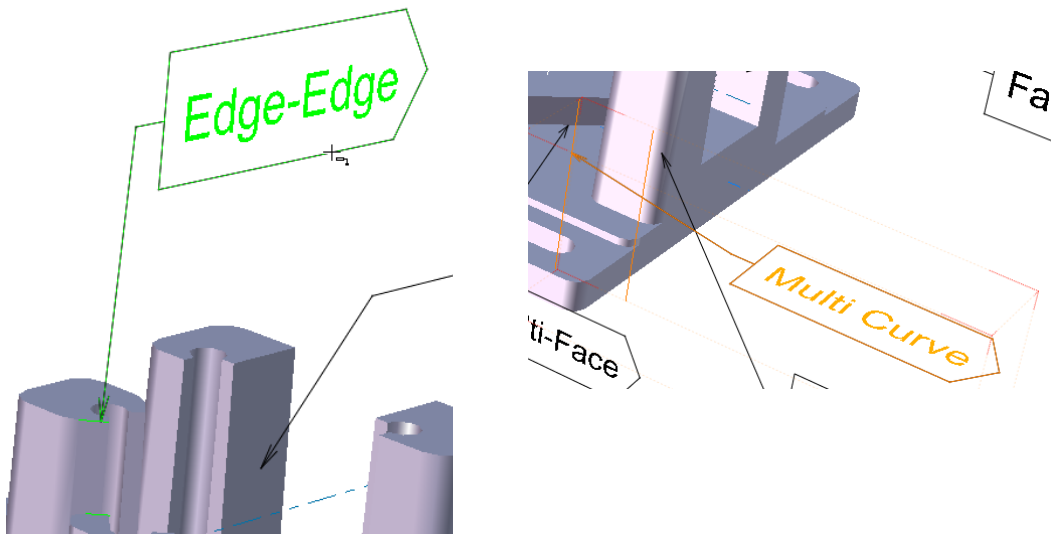
### 3.4. FT&A – Enhanced support

The 3DVIA Composer V6R2013x 3D Tool Library contains a collection of configurable

- Offer a better support of FT&A conversion by providing:
- Cross-highlight between FTA and Points, Lines, Curves
- Cross-highlight between linked FTAs

a good display of mirrored FTAs in Captures

Benefits: Provide a better scalability of the product



### 3.5. Extremity Enhancement

Enhance the **arrow extremity** for Labels and Polylines

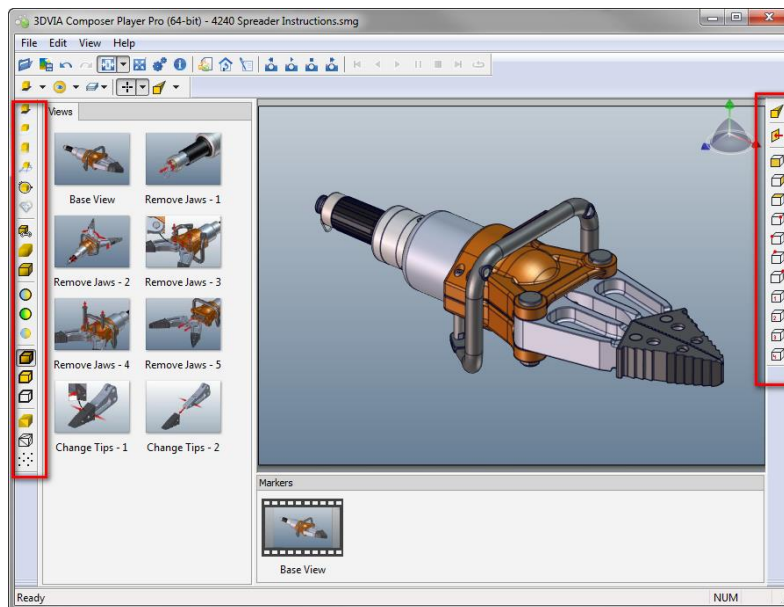
Benefits: In case of a large attach width; there is no more undesired artifact.



### 3.6 3DVIA Composer Player GUI customization

For additional flexibility in creating custom shapes, The player now keeps its GUI layout after a Close/ReOpen

Benefits: The user can now customize its player UI and keep it over time. An administrator could set up a specific layout for its users.



### 3.6. Spatial R23 support

Support of the latest format and versions available in the R23 release of Spatial

Benefits: Support of Creo 2

### 3.7. SolidWorks 2014 support

To provide an even more ideal user experience, 3DVIA Composer now Provide the ability to open in SolidWorks Composer files coming from the latest SolidWorks release

Benefits: Compliancy with latest SolidWorks version

## 3.8. Minor developments

### User Experience

- Render Mode now available in Default Document Properties
- Password management improvement
- Support of multiple instances of Composer/Player in COM environment
- (Un)Register Composer during (Un)Installation
- Win8 support for 3DVIA Composer
- IE9+ support (as well as XML log files to HTML)

